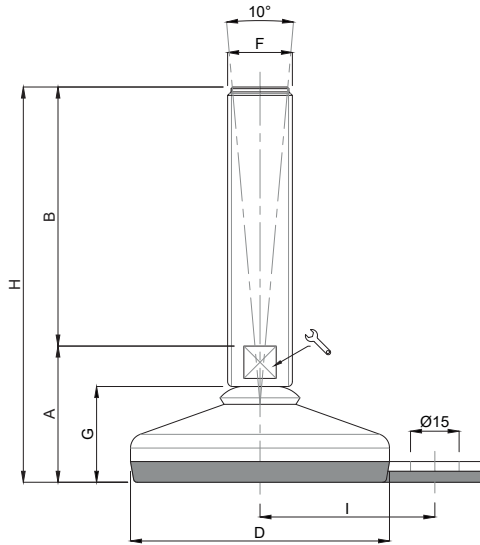


Caratteristiche: BASE VULCANIZZATA Ø 60 CON FISSAGGIO,
STELO SNODATO 10°

Features: HYGIENIC VULCANIZED BOLT/DOWN BASE Ø 60,
10° ARTICULATED STEM



NBR



EPDM

| CODICE - CODE | | DESCRIZIONE description | DIMENSIONI PRINCIPALI - MAIN DIMENSIONS | | | | | | | | CARICO STATICO STATIC LOAD NEWTON |
|---------------|-------------------|----------------------------|---|-----|------|-----|-----|----|-----|----|---|
| gomma NBR | gomma EPDM blu | | A | B | D | CH | F | G | H | I | |
| 24510R/F | 24510RB/F | M10x50 | 35 | 50 | ø 60 | 14* | M10 | 27 | 85 | 45 | 7000 |
| 24512R/F | 24512RB/F | M10x75 | 35 | 75 | ø 60 | 14* | M10 | 27 | 110 | 45 | 7000 |
| 24514R/F | 24514RB/F | M10x100 | 35 | 100 | ø 60 | 14* | M10 | 27 | 135 | 45 | 7000 |
| 24516R/F | 24516RB/F | M10x125 | 35 | 125 | ø 60 | 14* | M10 | 27 | 160 | 45 | 7000 |
| 24610R/F | 24610RB/F | M12x50 | 35 | 50 | ø 60 | 14* | M12 | 27 | 85 | 45 | 7000 |
| 24612R/F | 24612RB/F | M12x75 | 35 | 75 | ø 60 | 14* | M12 | 27 | 110 | 45 | 7000 |
| 24614R/F | 24614RB/F | M12x100 | 35 | 100 | ø 60 | 14* | M12 | 27 | 135 | 45 | 7000 |
| 24616R/F | 24616RB/F | M12x125 | 35 | 125 | ø 60 | 14* | M12 | 27 | 160 | 45 | 7000 |
| 24618R/F | 24618RB/F | M12x150 | 35 | 150 | ø 60 | 14* | M12 | 27 | 185 | 45 | 7000 |
| 24710R/F | 24710RB/F | M14x75 | 35 | 75 | ø 60 | 14* | M14 | 27 | 110 | 45 | 7000 |
| 24712R/F | 24712RB/F | M14x100 | 35 | 100 | ø 60 | 14* | M14 | 27 | 135 | 45 | 7000 |
| 24714R/F | 24714RB/F | M14x125 | 35 | 125 | ø 60 | 14* | M14 | 27 | 160 | 45 | 7000 |
| 24716R/F | 24716RB/F | M14x150 | 35 | 150 | ø 60 | 14* | M14 | 27 | 185 | 45 | 7000 |
| 24718R/F | 24718RB/F | M14x175 | 35 | 175 | ø 60 | 14* | M14 | 27 | 210 | 45 | 7000 |
| 24814R/F | 24814RB/F | M16x75 | 40 | 75 | ø 60 | 13 | M16 | 27 | 115 | 45 | 7000 |
| 24816R/F | 24816RB/F | M16x100 | 40 | 100 | ø 60 | 13 | M16 | 27 | 140 | 45 | 7000 |
| 24818R/F | 24818RB/F | M16x125 | 40 | 125 | ø 60 | 13 | M16 | 27 | 165 | 45 | 7000 |
| 24820R/F | 24820RB/F | M16x150 | 40 | 150 | ø 60 | 13 | M16 | 27 | 190 | 45 | 7000 |
| 24822R/F | 24822RB/F | M16x175 | 40 | 175 | ø 60 | 13 | M16 | 27 | 215 | 45 | 7000 |
| 24824R/F | 24824RB/F | M16x200 | 40 | 200 | ø 60 | 13 | M16 | 27 | 240 | 45 | 7000 |
| 24910R/F | 24910RB/F | M20x75 | 40 | 75 | ø 60 | 17 | M20 | 27 | 115 | 45 | 7000 |
| 24912R/F | 24912RB/F | M20x100 | 40 | 100 | ø 60 | 17 | M20 | 27 | 140 | 45 | 7000 |
| 24914R/F | 24914RB/F | M20x125 | 40 | 125 | ø 60 | 17 | M20 | 27 | 165 | 45 | 7000 |
| 24916R/F | 24916RB/F | M20x150 | 40 | 150 | ø 60 | 17 | M20 | 27 | 190 | 45 | 7000 |
| 24918R/F | 24918RB/F | M20x175 | 40 | 175 | ø 60 | 17 | M20 | 27 | 215 | 45 | 7000 |
| 24920R/F | 24920RB/F | M20x200 | 40 | 200 | ø 60 | 17 | M20 | 27 | 240 | 45 | 7000 |
| 24922R/F | 24922RB/F | M20x225 | 40 | 225 | ø 60 | 17 | M20 | 27 | 265 | 45 | 7000 |
| 24924R/F | 24924RB/F | M20x250 | 40 | 250 | ø 60 | 17 | M20 | 27 | 290 | 45 | 7000 |

* Chiave ottenuta da barra esagonale
Hexagonal wrench